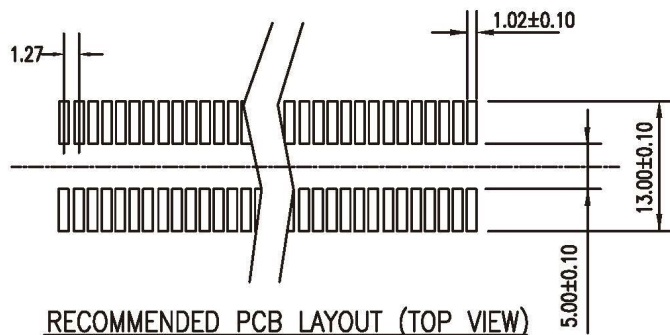


SECTION A-A



RECOMMENDED PCB LAYOUT (TOP VIEW)

MATERIAL

INSULATOR: HI-TEMP PPS UL 94V-0, 240°C
 CONTACT: COPPER ALLOY.
 PLATING: MATING AREA - GOLD FLASH GOLD OVER NICKEL.
 SOLDER AREA - TIN OVER NICKEL.

ELECTRICAL

VOLTAGE RATING: 250 VAC RMS.
 CURRENT RATING: 1 AMP.
 DIELECTRIC WITHSTANDING VOLTAGE: 500 VAC RMS 60Hz FOR 1 MINUTE.
 INSULATION RESISTANCE: 1000 MEGOHMS MIN AT 500 VDC.
 CONTACT RESISTANCE: 30 MILLIOHMS MAX.

MECHANICAL

RETENTION FORCE: 460 GRAMS MIN PER CONTACT.
 INSERTION FORCE: 230 GRAMS MAX PER CONTACT PAIR.
 WITHDRAWAL FORCE: 15 GRAMS MIN PER CONTACT PAIR.

ENVIRONMENTAL

TEMPERATURE RANGE: -55°C TO +85°C.
 P.C.BOARD THICKNESS: 1.2MM-1.6MM

| Circuit | Dimension | | | Circuit | Dimension | | |
|---------|-----------|-------|-------|---------|-----------|--------|--------|
| | A | B | C | | A | B | C |
| 04 | 8.64 | 3.81 | 1.27 | 38 | 30.23 | 25.40 | 22.86 |
| 06 | 9.91 | 5.08 | 2.54 | 40 | 31.50 | 26.67 | 24.13 |
| 08 | 11.18 | 6.35 | 3.81 | 42 | 32.77 | 27.94 | 25.40 |
| 10 | 12.45 | 7.62 | 5.08 | 44 | 34.04 | 29.21 | 26.67 |
| 12 | 13.72 | 8.89 | 6.35 | 46 | 35.31 | 30.48 | 27.94 |
| 14 | 14.99 | 10.16 | 7.62 | 48 | 36.58 | 31.75 | 29.21 |
| 16 | 16.26 | 11.43 | 8.89 | 50 | 37.85 | 33.02 | 30.48 |
| 18 | 17.53 | 12.70 | 10.16 | 52 | 39.12 | 34.29 | 31.75 |
| 20 | 18.80 | 13.97 | 11.43 | 54 | 40.39 | 35.56 | 33.02 |
| 22 | 20.07 | 15.24 | 12.70 | 56 | 41.66 | 36.83 | 34.29 |
| 24 | 21.34 | 16.51 | 13.97 | 58 | 42.93 | 38.10 | 35.56 |
| 26 | 22.61 | 17.78 | 15.24 | 60 | 44.20 | 39.37 | 36.83 |
| 28 | 23.88 | 19.05 | 16.51 | 80 | 56.90 | 52.07 | 49.53 |
| 30 | 25.15 | 20.32 | 17.78 | 100 | 69.60 | 64.77 | 62.23 |
| 32 | 26.42 | 21.59 | 19.05 | 120 | 82.30 | 77.47 | 74.93 |
| 34 | 27.69 | 22.86 | 20.32 | 160 | 95.00 | 90.17 | 87.63 |
| 36 | 28.96 | 24.13 | 21.59 | 182 | 121.67 | 116.84 | 114.30 |

All Connectors

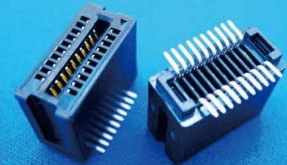
www.allconnectors.de info@allconnectors.de
 Tel.: 0049 711 7009503 Fax: 0049 711 7009504
 70794 Filderstadt - Germany Kettnerstr. 25

RoHS Compliant

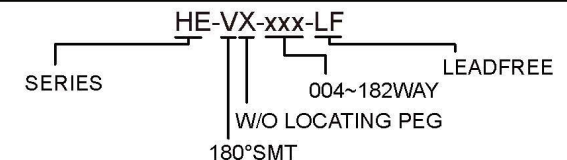
TOLERANCES ARE

DRAWING BY CY
 CHECKED BY GENIUS
 UNIT/ mm SCALE 1:1
 DATE
 SIZE A4 PROJECTION

X ±
 .X ±
 .XX ±
 .XXX ±
 ANG ±



ORDER INFORMATION



DESCRIPTION: 1.27 PITCH CARD EDGE SMT